

## Sliding floor tile displays

Vision's floor tile sliders are designed to show a large area of floor or large format tiles and allow the customer an opportunity to view the products close up. The floor tile display panels run on ball-bearing mounted nylon wheels for a smooth action.

The tile display trays come complete with plain mdf panels and are provided with a metal drop-over tray, designed to cover the edges of the cut tiles.

Stand dimensions (wall option):  
2000mm wide x 2100mm high x 1025mm deep

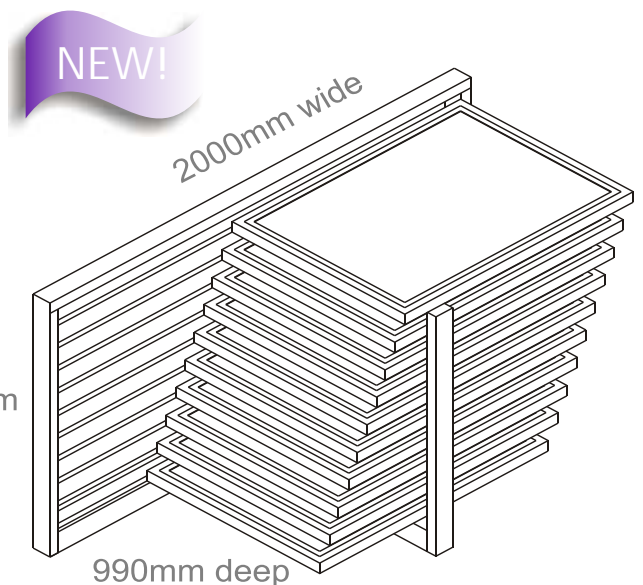
Clear tiling display area of each panel =  
1220mm x 1035mm

Colours: silver as standard, other colours upon request.

These displays are provided in kit form and come complete with step by step installation instructions for self fitting. Alternatively, why not ask Vision to quote for installation for you - contact the Vision sales office for further information.



\*\* At the time of this brochure going to print Vision have added a new range of low level sliding displays, including 8 & 10 panel single banked versions (as per the sketch shown below) and a 20 panel double banked version - ask the Vision sales office for further information!



For further information please contact the Vision Display sales office on: tel: 01227 832265 fax: 01227 832184